

CAMELOT *Traditional* one piece party canopy

ASSEMBLY [20'x30' SHOWN] :

1. Inspect the site and make sure the area is level, free of utilities and overhangs. Unload poles and tent bundles.
2. Lay the canopy out, on **Blue Tarp provided** with the top side up. Stretch and square the fabric to remove slack. Pull the guy ropes out from the canopy. See fig.1.
 - Thread a guy rope through a hole in the rope slider. Thread the rope end through the remaining hole in the rope slider. To work properly, the guy rope must enter the slider from the same side each time- as illustrated. Repeat with remaining guy ropes and sliders. See fig.2.
3. Drive the stakes 4' out and at a slight angle away from the canopy. Stake the corners first, using two stakes placed at 90° from each corner. See fig.1. Continue staking until all guy ropes are at 4'. Be sure to leave enough slack in the guy ropes to raise the poles.
4. If using aluminum poles, assemble them and make sure each snap button is secured.
5. Install the side poles from the underside of the canopy. Insert pole pins up through both the grommet and D-ring. See fig.3. Stand the poles up at a 60° angle with their base toward the center of the tent. Set the corner poles first, then the side poles. See fig.4.

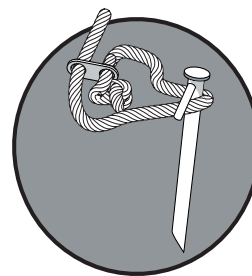
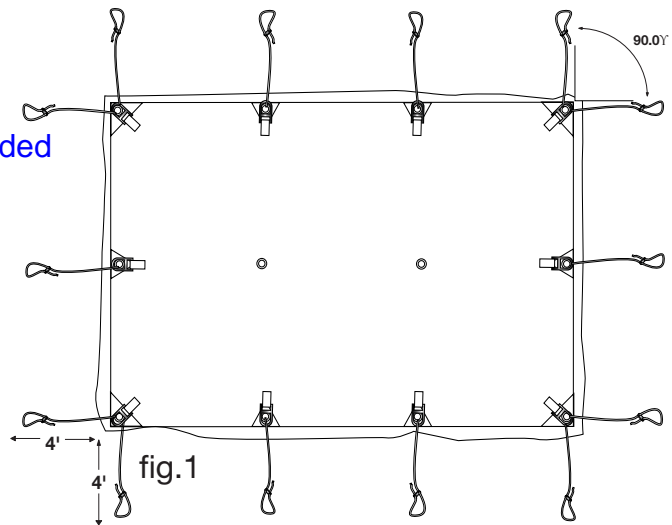
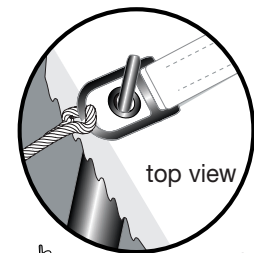


fig.2



top view

fig.3

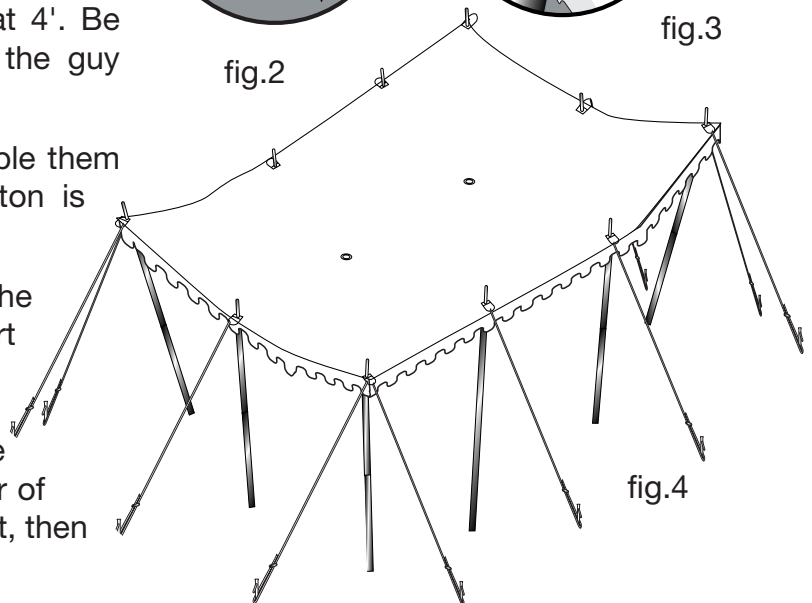


fig.4

CAMELOT SPECIAL EVENTS & TENTS, INC.
23 North Avenue
Wakefield, MA 01880
781-246-0101
www.camelotspecialevents.com